



TABLE OF CONTENT

THE AGRIPO® SYSTEM	3
HOW DOES IT WORK?	4
INFORMATION AND ORDERING	5
ELECTRONIC LIFT SYSTEM	6
OVERVIEW AND GENERAL INFORMATION	7
LIFT SYSTEM.....	8
LIFT SYSTEM WITH HOOD.....	9
LIFT SYSTEM WITH TOP FOR POTATOES.....	10
LIFT SYSTEM WITH TOP FOR ONIONS.....	11
LIFT UNITS	13
TABLES	14
HOODS FOR LIFT UNIT	15
TOP SHELVES FOR TABLES	16
ACCESSORIES FOR LIFT UNITS	19
MANUAL DISPENSERS	22
OVERVIEW AND GENERAL INFORMATION	23
M101.....	24
M102.....	25
M103.....	26
M104.....	27
ACCESSORIES FOR MANUAL DISPENSERS	29
ACCESSORIES	32
ABOUT INTRX	35
CONTACT INFORMATION	35

THE AGRIPO® SYSTEM

- A Creation of Intrix

The Agripo® system from Intrix is designed to create profitable root crop sales thanks to reduced waste, simplified logistics and an efficient process. Agripo® also improves the working environment due to the elimination of heavy lifting. The system has been developed and proven for over 30 years to meet the demands and needs of a modern store.

LOWER COST

When it comes to loading, Agripo really shows what it can do. Four boxes totalling 800 kilos of potatoes can fit on a single pallet. This means that transport loading goes smoothly and more potatoes can be carried on each truck.

EASIER HANDLING

One person can easily handle several hundred kilos. The box is loaded into a lifter, and the potato shelf is rolled into place. All with just a few easy manual moves. Then the potatoes roll out and are ready to meet your customers.

REDUCED WASTE

The unique octagonal box protects potatoes from light and thus eliminates waste. Its durability and sustainability are important factors in Agripo's success.

INCREASED SALES

The Swedish Agripo system can increase your profitability due to much lower costs for freight and handling, reduced waste and increased sales.

The logo for Intrix, featuring the word "intrix" in a white, lowercase, sans-serif font with a registered trademark symbol (®) to the upper right, set against a solid black rectangular background.

intrix®



HOW DOES IT WORK?

The Agripo® systems octagonal box* is filled with root crops and four boxes, totaling 800 kilos of root crops, fits on one pallet (80×120 cm). The lift can also be used in combination with a wood container which holds 200 or 100 kilos root crops.

The Agripo® system makes it really easy for personnel to get large amounts of root crops from the loading dock and into the supermarket. Everything is smooth and fast and they can handle hundreds of kilos without lifting a thing. The system also reduce wastage by always keeping the potatoes protected from light so they do not turn green.

As the system provides the customer a good overview and the ability to pick their root crops in the right ergonomic height, it will result in increased sales

*The Agripo® system is mainly used in combination with the mass produced octagonal box which holds 200 kg root crops. The box is made from 100 % recyclable corrugated cardboard.

INTERIOR

All of the Agripo® lift system and manual dispensers can also be equipped with wood interior cabinets to match any specific supermarket chain appearance. For further information and requests contact Intrix.

INFORMATION AND ORDERING

Standards and color

When ordering your lift unit you have the option of combining several different features and configurations. The different base products can be combined with, for example; a table for the purpose of selling potatoes or onions, a hood to hide the octabine or wooden container, a shelf over the table for spear and/or shelf presentation.

Black is the standard color for entire Agripo® product range.

European standard

All measurements and dimensions are specified by European standard. In the event of sale in countries with other standards it is possible to adapt the system to those requirements.

All dimensions in this brochure are specified in mm (metric system) and weight in kg (kilograms).



ELECTRONIC LIFT SYSTEM

The octagonal box, filled with root crops, is placed in the lifter. The box is then lifted up and a disk with a stainless steel shelf is placed in front of the lift. The shelf is at the right ergonomic height for the customers and is filled automatically with new fresh root crops once you have opened the box. A practical scrap box underneath the shelf gathers scraps and dirt and is very easy to empty. It is also possible to equip the system with a shelf above the table for additional merchandising.



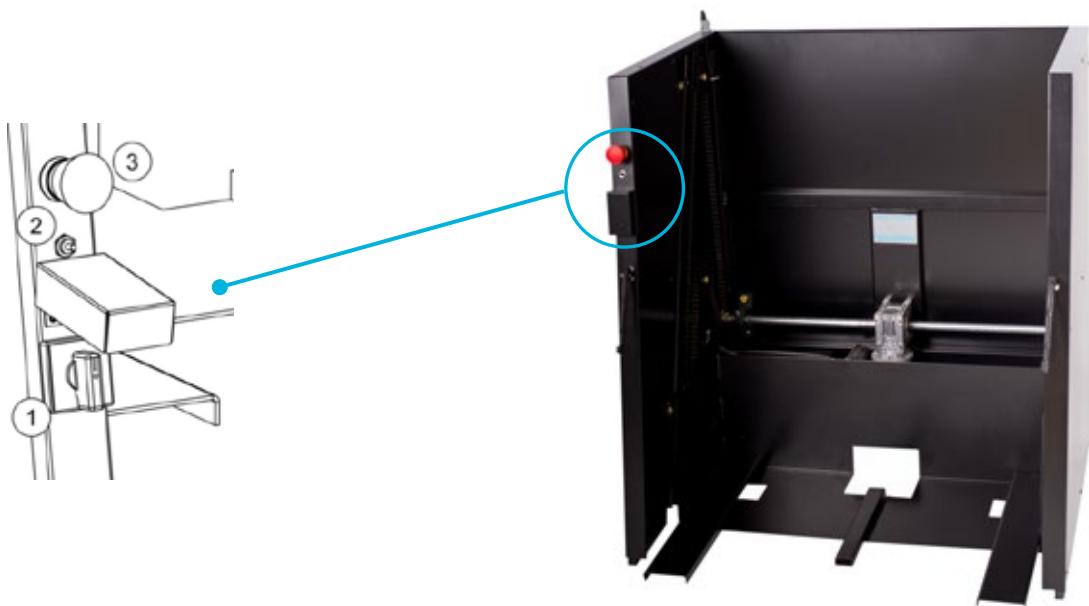
Overview and general information

PRICE INDICATION

Price indication can be done in two different ways. Frames in A4-, A3- and A2-format is used for the table and hood. Clear plastic folders is used for onion display racks and spear bars. These are 210 mm by 50 mm and mounted on a strip in front of the onion display racks or directly on the spear bar. Note that the price indication area is 60 mm high if you are using your own price indication system.

MANEUVERING

The lift units are operated from the left side. The container is running up and down to its fixed positions with the rotary switch **(1)**. The fixed positions is set by a limit switch. On the left side there is also an emergency stop **(3)** and a reset button **(2)** to reset the lift unit after electrical malfunctioning.





-5700101-036

Lift system

Complete lift system – includes lift and table and plastic bag holders. The table has a stainless steel shelf for the root crops - where the grid is fitted for onion or potato scrap.

ROUND CORNERS

The table has a front with round corners.



-5700101-036

ART.NO	DESCRIPTION	WIDTH	DEPTH	HEIGHT
LARGE				
-5700100-036	Lift system for potatoes	975	1190	1070
-5700101-036	Lift system for onions	975	1190	1070
SMALL				
-5700106-036	Lift system for potatoes	550	1190	1070
-5700107-036	Lift system for onions	550	1190	1070

STRAIGHT FRONT

The table has a straight front that ease integration with other interior.



-5700118-036

ART.NO	DESCRIPTION	WIDTH	DEPTH	HEIGHT
LARGE				
-5700102-036	Lift system for potatoes	975	1190	1070
-5700103-036	Lift system for onions	975	1190	1070
SMALL				
-5700118-036	Lift system for potatoes	550	1190	1070
-5700119-036	Lift system for onions	550	1190	1070



-5700104-036

Lift system with hood

Complete lift system – includes lift, table, plastic bag holders, a hood and limit switches. The switches prevents the lift unit to be operated with the hood closed. The table has a stainless steel shelf for the root crops and the grid is fitted for onion or potato scrap.

ROUND CORNERS AND HOOD

The table has a front with round corners.

ART.NO	DESCRIPTION	WIDTH	DEPTH	HEIGHT
LARGE				
-5700104-036	For potatoes with hood	975	1190	1900
-5700105-036	For onions with hood	975	1190	1900
SMALL				
-5700108-036	For potatoes with hood	550	1190	1900
-5700109-036	For onions with hood	550	1190	1900



-5700109-036



-5700116-036

Lift system with top for potatoes

Complete lift system - includes lift, table, plastic bag holders and top shelf that consists of three adjustable shelves. The table has a stainless steel shelf for the root crops and the grid is fitted for potato scrap. Each lift is delivered with two stabilizing wheels - these are mounted on the table.

ROUND CORNERS AND TOP SHELF

The table has a front with round corners and you can choose a top shelf complemented with containers for baked potatoes.



-5700112-036

ART.NO	DESCRIPTION	WIDTH	DEPTH	HEIGHT
LARGE				
-5700110-036	Shelf	975	1190	2056
-5700111-036	Shelf and one container	975	1190	2056
-5700112-036	Shelf and two containers	975	1190	2056
SMALL				
-5700115-036	Shelf	550	1190	2056
-5700116-036	Shelf and one container	550	1190	2056



-5700117-036

Lift system with top for onions

Complete lift system – includes lift, table, plastic bag holders and top shelf for onions. The table has a stainless steel shelf for the root crops and the grid is fitted for onion scrap. Each lift is delivered with two stabilizing wheels – these are mounted on the table.

ROUND CORNERS AND TOP FOR ONIONS

The table has a front with round corners and the top consists of a shelf with either onion display racks and two spear bars or five spear bars.



-5700113-036

ART.NO	DESCRIPTION	WIDTH	DEPTH	HEIGHT
LARGE				
-5700113-036	Onion display rack and spears	975	1190	2056
-5700114-036	Spears	975	1190	2056
SMALL				
-5700117-036	Spears	550	1190	2056



LIFT UNITS

Lift unit LARGE

Basic lift model including detachable pallet support. The lift unit is dimensioned for 200 kg octabines and roll containers

-5600003-036

WIDTH: 975
DEPTH: 790
HEIGHT: 1070



-5600003-036

Lift unit SMALL

Basic lift model. The lift unit is dimensioned for a 100 kg roll container.

-5600008-036

WIDTH: 550
DEPTH: 790
HEIGHT: 1070



-5600008-036

Lift unit specifications

The following (part/clauses of) national standards and specifications are fulfilled:

- Electrical motor
- Limit switches
- Operating switch
- Emergency stop

MAX LIFT CAPACITY: 250 KG
VOLTAGE: 220-230 V
FUSE: 10A
CURRENT TYPE: Single phase AC
FREQUENCY: 50Hz
PROTECTION CLASS: IP 45
OPERATING TEMP: 10-40 degrees

TABLES

The table is placed in front of the lift. It has a stainless steel shelf for the root crops and the grid is fitted for onion or potato scrap.

Table - round corners

The table has a front with round corners.

ART.NO	DESCRIPTION	WIDTH	DEPTH	HEIGHT
LARGE				
-5600029-036	Table for potatoes	877	585	927
-5600030-036	Table for onions	877	585	927
SMALL				
-5600033-036	Table for potatoes	493	585	927
-5600034-036	Table for onions	493	585	927



-5600033-036

Table - straight front

The table has a straight front that ease integration with other interior.

ART.NO	DESCRIPTION	WIDTH	DEPTH	HEIGHT
LARGE				
-5600031-036	Table for potatoes	877	585	927
-5600032-036	Table for onions	877	585	927
SMALL				
-5600035-036	Table for potatoes	493	585	927
-5600036-036	Table for onions	493	585	927



-5600032-036

HOODS FOR LIFT UNIT

Hoods for mounting on the lift unit to hide the octabin or container. Display frames can be mounted on the hood. Limit switch prevents the lift unit to be operated with the hood closed.

Hood

Hood with plain sheet metal front.

ART.NO	DESCRIPTION	WIDTH	DEPTH	HEIGHT
-5600124-036	Hood LARGE	975	735	770
-5600038-036	Hood SMALL	550	735	770

Hood with wood front

Hood with front panel made by chipboard with laminate finish and edging.

ART.NO	DESCRIPTION	WIDTH	DEPTH	HEIGHT
LARGE				
-5600125-036	Hood LARGE no front	975	735	770
-5700024	Wood front LARGE	975	12	770
SMALL				
-5600037-036	Hood SMALL no front	550	735	770
-5700025	Wood front SMALL	550	12	770



-5600124-036

Hood for lift system with shelf

Hood designed to be combined with top shelf for table.

ART.NO	DESCRIPTION	WIDTH	DEPTH	HEIGHT
-5600130-036	Hood LARGE	971	623	993
-5600131-036	Hood SMALL	546	623	993

TOP SHELVES FOR TABLES

Top shelf for tables. Two stabilizing wheels is delivered with each top system. These are mounted on the table.

Top shelves for potatoes

Top with three adjustable shelves. The two top shelves can be adjusted in three different positions and the bottom shelf can be adjusted in two different positions. Depending on where the shelves are placed following spacing is available: Top and middle shelf: 210, 260, 310 and 410 mm. Middle and bottom shelf: 300, 350, 400 and 450 mm.

You can choose a top shelf complemented with containers for baked potatoes.



-5700122-036



-5700125-036

ART.NO	DESCRIPTION	WIDTH	DEPTH	HEIGHT
LARGE				
-5700120-036	Shelf	835	305	1280
-5700121-036	Shelf and one container	835	374	1280
-5700122-036	Shelf and two containers	835	374	1280
SMALL				
-5700125-036	Shelf	433	305	1280
-5700126-036	Shelf and one container	433	374	1280

Top shelves for onions

The top consists of a shelf with either onion display racks and two spear bars or five spear bars.

ART.NO	DESCRIPTION	WIDTH	DEPTH	HEIGHT
LARGE				
-5700123-036	Onion display rack and spears	835	426	1280
-5700124-036	Spears	835	407	1280
SMALL				
-5700127-036	Spears	433	407	1280



-5700123-036



-5700127-036



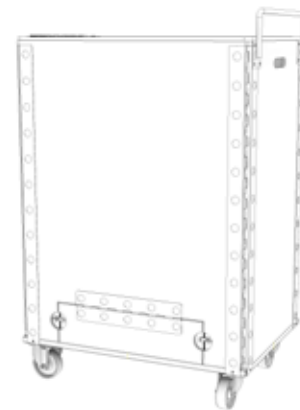


ACCESSORIES FOR LIFT UNITS

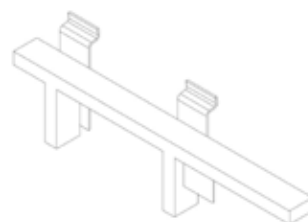
Roll container

Roll container in green woodstain for lift unit. One internal inclined shelf for easier emptying. The container is equipped with two fixed wheels and two swivel wheels for easier steering with brakes mounted.

When using roll container 200 kg you need the extended pallet support, both right and left.



-5600128-363



3000358-036

ART.NO	DESCRIPTION	CAPACITY	WIDTH	DEPTH	HEIGHT
LARGE					
-5600128-363	Roll container	200 kg	823	589	1032
3000358-036	Extended support right	200 kg			
3000359-036	Extended support left	200 kg			
SMALL					
-5600103-363	Roll container	100 kg	400	600	1063

Steel pallet container

Steel pallet container in green woodstain for lift unit. One internal inclined shelf for easier emptying.

ART.NO	DESCRIPTION	CAPACITY	WIDTH	DEPTH	HEIGHT
LARGE					
-5600129-363	Steel pallet container	200 kg	808	589	933



-5600129-363

Limitation plates R+L

Plates in stainless steel guiding the potatoes towards the middle for less wastage. Plates matches tables made after 2007. Comes in pairs.

-5600203

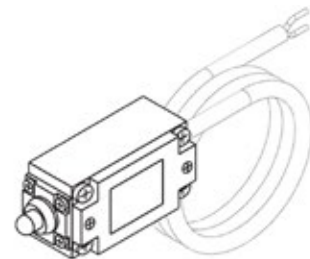


5600203

Safety switch

Limit switch, including cable. The switch is used in combination with wood interior cabinets as a safety switch for hatch and door.

ART.NO	DESCRIPTION
-2100090	One safety switch - for single door
-2100091	Two safety switch - for double door



-2100090





MANUAL DISPENSERS

The dispenser is manually filled from the foldable back side. All models are equipped with a bulk shelf and a scrap box underneath that gathers scraps and dirt and is very easy to empty. Some of the models are also equipped with a top dispenser for additional merchandising.



Overview and general information

PRICE INDICATION

Price indication can be done in two different ways. Frames in A4-format is used for the bulk disk.

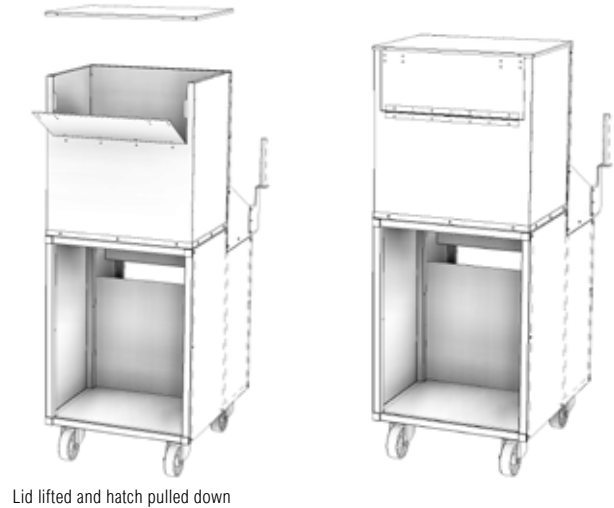
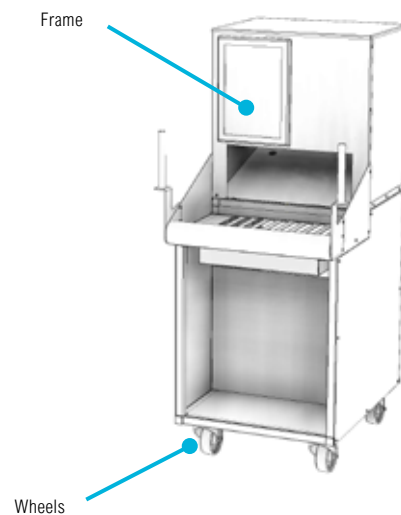
Clear plastic folders is used for the onion display racks and spear bars. These are 210 mm by 50 mm and mounted with magnets above the tray, on a strip in front of the onion display racks or directly on the spear bar. Note that the price indication area is 60 mm high if you are using your own price indication system.

WHEELS

The dispensers is equipped with two fixed wheels and two swivel wheels with brakes mounted.

REAR SIDE

The dispenser is equipped with foldable rear sides for easier loading. The lid is lifted and the hatch is pulled down.





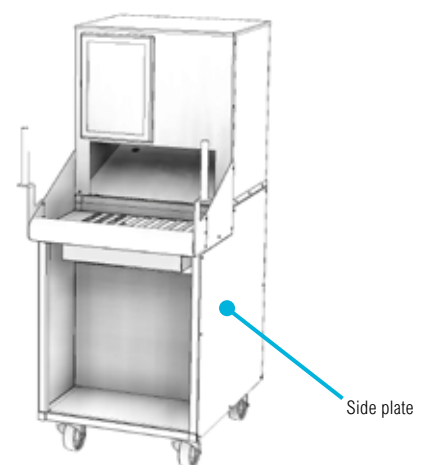
-5600099-036

M101

Manually dispenser M101

Manually refilled dispenser for bulk root crops with one A4 display frame and plastic bag holders. Model 700 and 870 are equipped with side plates.

ART.NO	DESCRIPTION	VOLUME*	WIDTH	DEPTH	HEIGHT
-5600099-036	M101-700	45kg	510 (580)	725	1300
-5600152-036	M101-870	57kg	510 (580)	895	1300
-5600191-036	M101-1050	70kg	510 (580)	1075	1300



-5600099-036

**Approximate capacity when filled completely*



-5600087-036

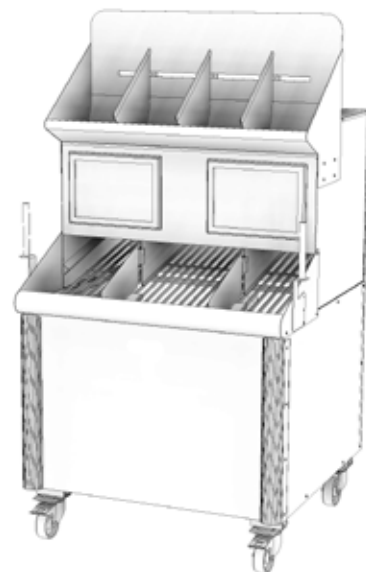
M102

Manually dispenser M102

Manually refilled dispenser with three lower and four upper sections. These are individually adjustable. Covered front, plastic bag holders and two display frames in A4-format. On model M102L one of the upper and one of the lower sections is covered with light protection. No plastic bag holder on the same side as light protection.

ART.NO	DESCRIPTION	VOLUME*	WIDTH	DEPTH	HEIGHT
-5600068-036	M102	100kg	870(950)	920	1705
-5600087-036	M102L with lid	100kg	870 (950)	920	1705

**Approximate capacity when filled completely*



-5600068-036



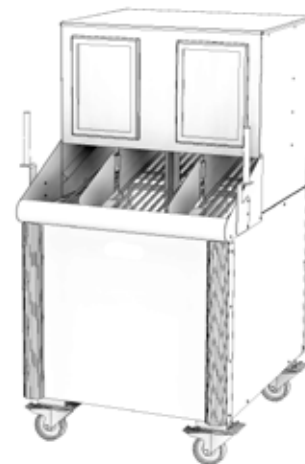
-5600071-036

M103

Manual dispenser M103

Manually refilled dispenser with or without top. Three individually adjustable sections and two display frames in A4-format. The top consist of a shelf equipped with three onion display racks and a spear bar equipped with six spears.

ART.NO	DESCRIPTION	VOLUME*	WIDTH	DEPTH	HEIGHT
-5600076-036	M103	85kg	680 (760)	920	1340
-5600071-036	M103SS med överdel	85kg	680 (760)	920	2050



-5600076-036

**Approximate capacity when filled completely*



-5600041-036

M104

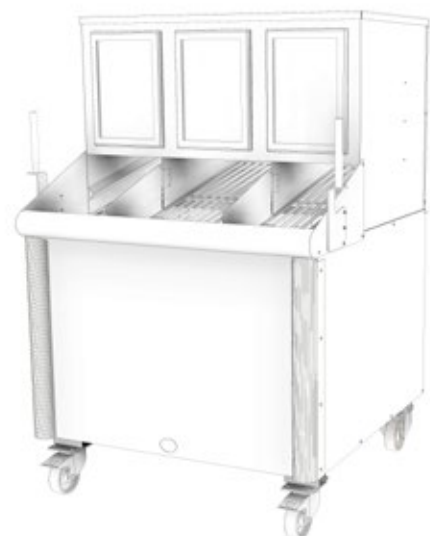
Manual dispenser M104

Manual dispenser with three individually adjustable sections and three display frames in A4-format.

Manual dispenser with top section, three individually adjustable sections and three display frames in A4-format. The top consist of a shelf equipped with four onion display racks and a spear bar equipped with seven spears.

ART.NO	DESCRIPTION	VOLUME*	WIDTH	DEPTH	HEIGHT
-5600080-036	M104	105kg	870 (950)	920	1340
-5600041-036	M104SS with top	105kg	870 (950)	920	2050

**Approximate capacity when filled completely*



-5600080-036

Lösviktsautomat M104SSL

Manual dispenser with top section, three individually adjustable sections and three display frames in A4-format. The top consist of a shelf equipped with four onion display racks and a spear bar equipped with seven spears. One sections is covered with lid. No plastic bag holder on the same side as lid.

-5600082-036

WIDTH: 900 (925)

DEPTH: 920

HEIGHT: 2050



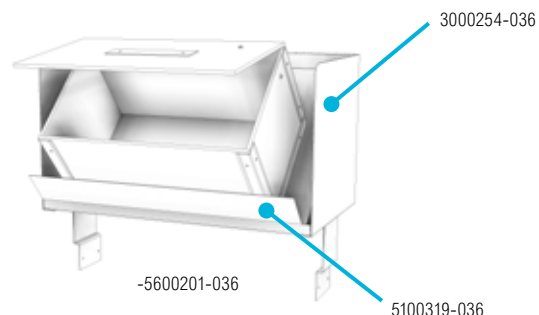
-5600082-036

ACCESSORIES FOR MANUAL DISPENSERS

TOP FOR M101

Top for manual dispenser M101. Complete set with shelf and container for baked potatoes. The top alone can also be used as an plastic bag holder. It is also possible to combine the top with an inclined shelf.

ART.NO	DESCRIPTION	WIDTH	DEPTH	HEIGHT
-5600201-036	Top with container	545	306	306
3000254-036	Top	545	306	306
5100319-036	Top with inclined shelf	525	390	100



PRICE FOLDER

Clear plastic folder with magnet 210 x 50 mm price indicator. Comes in a pack of four

ET100004



ET 100004

SEPARATION PLATE

Both upper and lower separation plates for different models of manual dispensers. The plate provides an additional section for the bulk shelf.

ART.NO	DESCRIPTION
5600202-036	Lower separation plate M101
3000155-036	Upper separation plate M102
5600091-036	Lower separation plate M102
5600092-036	Lower separation plate M103 and M104

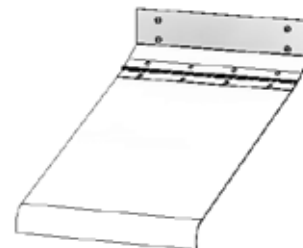


5600202-036

LID

Lid for bulk shelves. One lid fits the upper bulk shelf on model M102. The other lids fits the lower bulk shelf. The lid also work as light protection

ART.NO	DESCRIPTION
5600220-036	Lower lid M101
5600070-036	Upper lid M102
5600069-036	Lower lid M102-M104

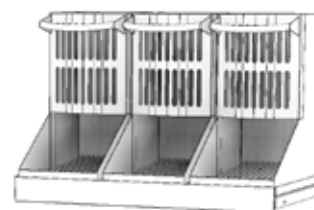


5600070-036

SHELF WITH ONION DISPLAY RACKS

Shelf with onion display racks for manual dispensers. Four racks for model M104, three racks for model M103.

ART.NO	DESCRIPTION	WIDTH	DEPTH	HEIGHT
-5600059-036	4 racks for M104	870	396	460
-5600072-036	3 racks for M103	680	396	460

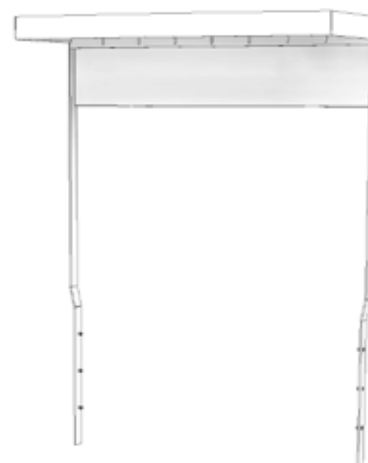


-5600072-036

SPEAR TOP

Spear top including spears for manual dispensers.

ART.NO	DESCRIPTION	WIDTH	DEPTH	HEIGHT
-5600060-036	Spear top for M102/M104	875	417	1229
-5600073-036	Spear top for M103	685	420	1234



-5600060-036

POTATIS



ACCESSORIES

Frame

Black aluminum display frame with plastic front.

ART NO	DESCRIPTION	SIZE
BP 900303-025	Aluminum display frame with plastic plate	A4
BP 900304-025	Aluminum display frame with plastic plate	A3
BP 900305-025	Aluminum display frame with plastic plate	A2



BP 900303 A4- format
BP 900304 A3- format
BP 900305 A2- format

Container for baked potatoes

Wooden container for baked potatoes.

5600043-300

WIDTH: 400
DEPTH: 240
HEIGHT: 217



5600043-300

Inclined shelf for top

Inclined shelf for top shelves. Adjusted to fit one or two containers for baked potatoes.

ART.NO	DESCRIPTION	WIDTH	DEPTH	HEIGHT
5100158-036	Inclined shelf 415	415	334	45
5100171-036	Inclined shelf 830	830	334	64



5100158-036

Potato fork

Potato fork for the customers to use.

ART NO	DESCRIPTION
3000377	Potato fork CHROME
3000378	Potato fork STAINLESS STEEL



3000377
3000378

Potato scoop

Potato scoop to scoop out the last root crops from the container.

3000152-024



3000152-024

Spear

Singel spear

3000126-036

LENGHT: 300

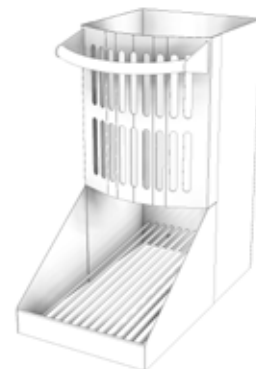


3000126-036

Onion display rack

5600040-036

WIDTH: 900, DEPTH: 870, HEIGHT: 1335



5600040-036

Pallet lifter

Black compact pallet lifter suitable for supermarket environment.

5700026

WIDTH: 900, **DEPTH:** 500, **HEIGHT:** 1150



5700026

ABOUT INTRX

Intrix started business in 1983 and has become one of Sweden's leading and most experienced players in the planning, development and fitting of retail environments. We create concepts and attractive interior designs for everything from shop-in-shop and specific departments to complete stores. Always with the goal of achieving pleasurable shopping in inspiring environments and increasing the client's profitability.

Production is handled by subcontractor manufacturers in both Sweden and abroad and we are responsible for the logistics, warehousing and assembly. We are located in Kumla, in central Sweden.

Contact



Fredric Jansson
Managing Director
Dir: +46 19-689 45 01
SMS: +46 70-557 81 82
fredric.jansson@intrix.se



Matilde Frausing
Project & Sales Support
Dir: +4619 689 45 25
SMS: +4670 191 20 48
matilde.frausing@intrix.se



Address: Järsjöгатan 9 **Mail:** Box 140, 692 23 KUMLA

Office: 019-57 80 80 **Email:** inredning@butikskonsult.com **Web:** www.butikskonsult.com

Intrix

Visit: Järsjöгатan 9 Kumla, Sweden **Mail:** Box 140, SE-692 23 Kumla, Sweden

Office: +46 (0)19 57 80 80 **Email:** info@intrix.se

www.intrix.se www.agripo.com